

## DMF – Filter Strainers

- Our products are widely used in water purification, food/beverage and pneumatic systems
- Providing quick and convenient assembly saving time & expense
- Can be assembled & disassembled repeatedly

### Technical Information

#### Fitting Working Pressures & Temperature

SIZE	1/4"	5/16"	3/8"	1/2"
Parameter				
Pressure	11bar (170PSI)			
Temperature	Air -20°C(-4°F) ~ 65°C(150°F) Liquid			

※ Maximum pressure values are based on use at room temperature.

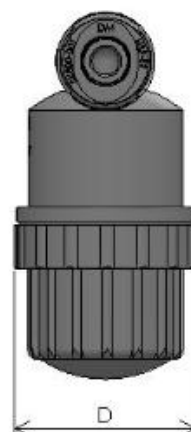
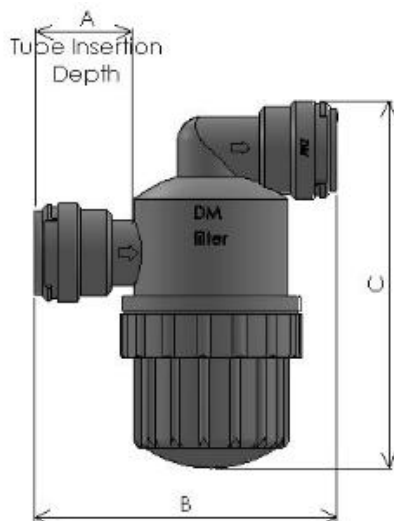
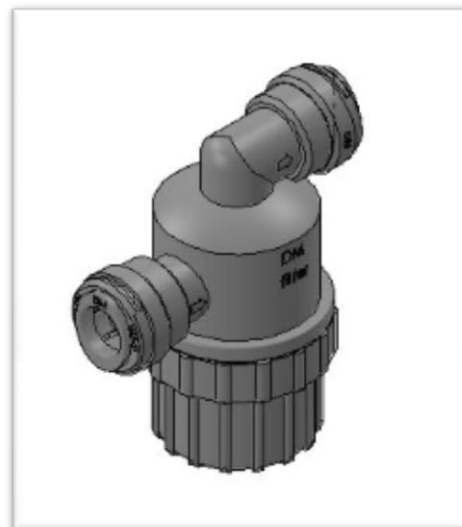
※ Consult your DMT representative when using at continuous elevated temperature and pressure.

#### Filter Materials and Mesh Size

Screen Mesh	Standard	Special Order
	100 Mesh	150 Mesh
Material	SUS	

※ Standard models are provided with 100mesh screen elements.

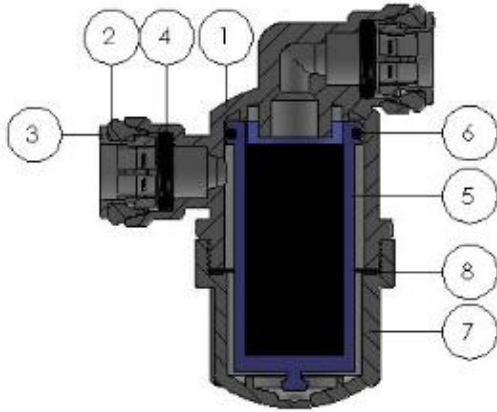
※ Other meshes is available by special order.



UNIT : mm / Tolerance : ± 0.2mm

Part No.	INLET(Inch)	OUTLET(Inch)	A	B	C	D
ADMF 0404	1/4"	1/4"	16.30	58.40	70.80	36.70
ADMF 0505	5/16"	5/16"	17.15	60.40	72.95	36.70
ADMF 0606	3/8"	3/8"	19.60	60.40	72.95	36.70
ADMF 0707	1/2"	1/2"	22.70	79.10	77.70	36.70

## Assembly



Part List		
No.	Part Desc.	Materials
1	BODY	POM
2	CAP	POM
3	CLIP	POM + STS
4	O-RING	NBR & EPDM
5	FILTER	P.E + SUS
6	O-RING	NBR & EPDM
7	CAP	POM
8	S-RING	POM